

compact router Molding Jig

Build this scaled-down version to better handle smaller molding profiles and tighter curves.



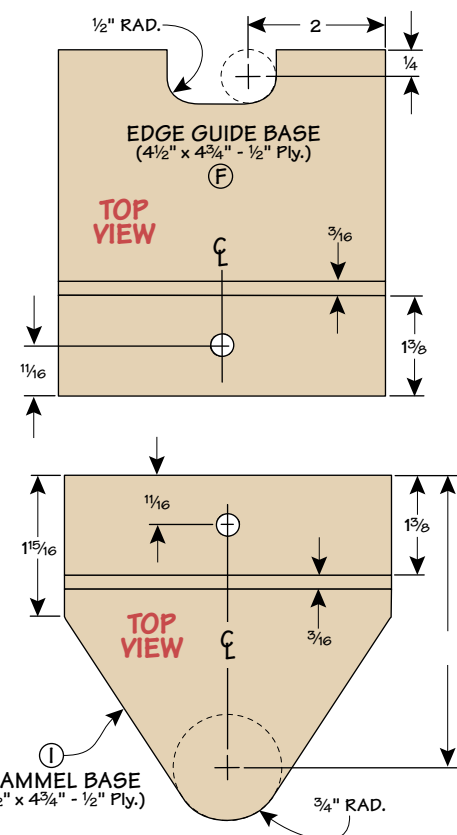
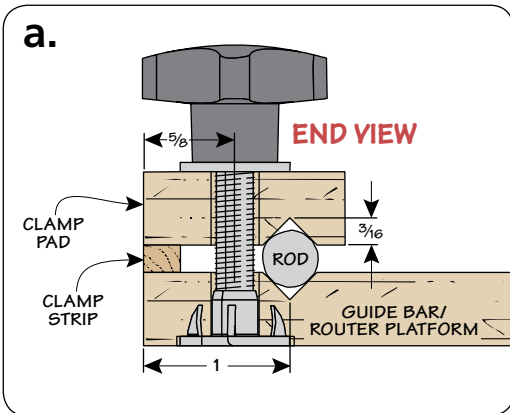
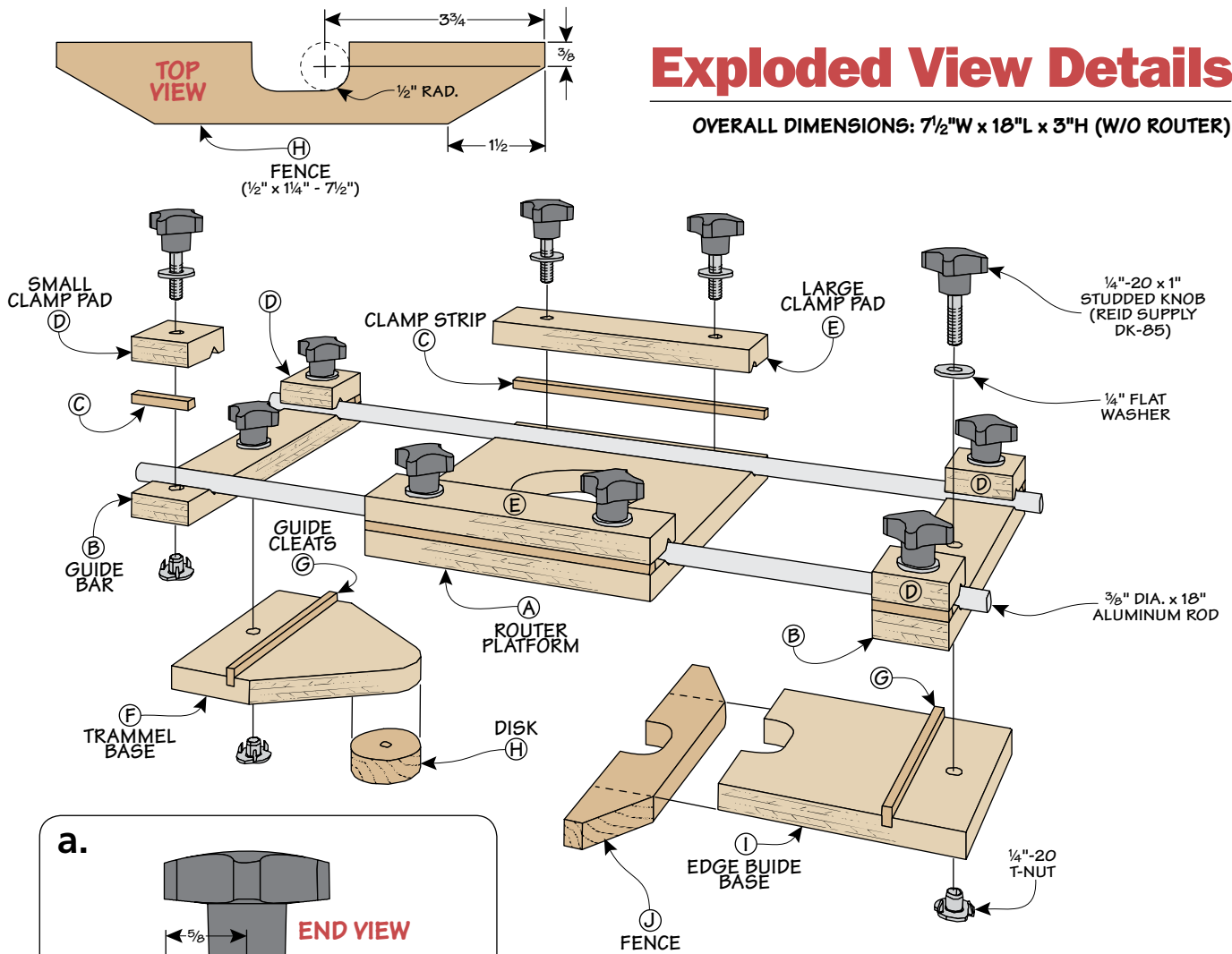
■ The molding jig in ShopNotes 122 uses a full-size, plunge router to create moldings in a wide range of sizes. However, I decided to build a smaller version that accepts a compact router with a plunge

base, as shown in the photo above. All the parts and hardware are scaled down to better handle smaller molding pieces. In addition, you have a better view of your progress when using this jig.

Building and using this jig follows the same process as the larger jig shown in the article. On the next page, you'll find a materials list with the smaller parts and drawings to spell out the differences.

Exploded View Details

OVERALL DIMENSIONS: 7½"W x 18"L x 3"H (W/O ROUTER)



Materials List

A Router Platform (1)	6 x 7½ - ½ Ply.
B Guide Bars (2)	1⅜ x 7½ - ½ Ply.
C Clamp Strip (2)	¼ x ¾ - 12 rgh.
D Clamp Pads (4)	1⅜ x 1⅜ - ½ Ply.
E Clamp Bars (2)	6 x 1⅜ - ½ Ply.
F Edge Guide Base (1)	4½ x 4¾ - ½ Ply.
G Guide Strips (2)	⅜ x 4½ - ⅛ Hdbd.
H Fence (1)	½ x 1¼ - 7½
I Trammel Bases (2)	4½ x 4¾ - ½ Ply.
J Disks (2)	½ x 1½-dia.

- (11) ¼"-20 T-Nuts
- (10) ¼"-20 x 1" Studded Knobs
- (10) ¼" Flat Washers
- (2) ⅜"-dia. x 18" Aluminum Rods